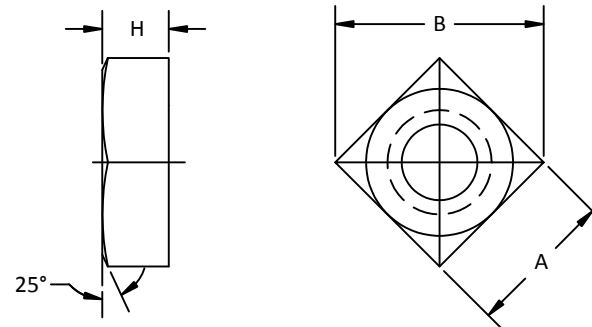


NUTS

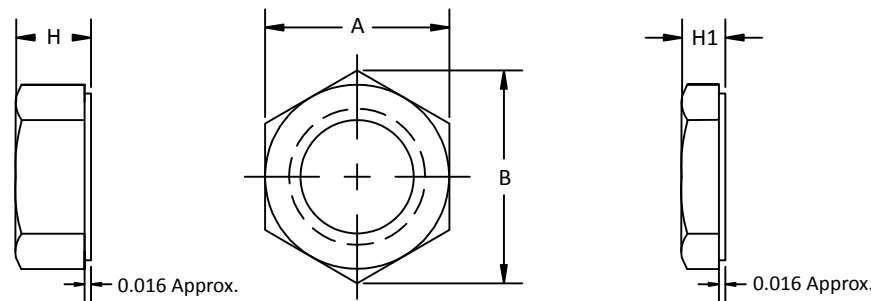
Square Nut

Nominal Size	Width Across Flats		Width Across Corners		Thickness		
	Basic & Max	Min	Max	Min	Basic	Max	Min
	A		B		H		
1/4	0.438	0.425	0.619	0.554	0.219	0.235	0.203
5/16	0.562	0.547	0.795	0.721	0.266	0.283	0.249
3/8	0.625	0.606	0.884	0.802	0.328	0.346	0.310
7/16	0.750	0.728	1.061	0.970	0.375	0.394	0.356
1/2	0.812	0.788	1.149	1.052	0.438	0.458	0.418
5/8	1.000	0.969	1.414	1.300	0.547	0.569	0.525
3/4	1.125	1.088	1.591	1.464	0.656	0.680	0.632
7/8	1.315	1.269	1.856	1.712	0.766	0.792	0.740
1	1.500	1.450	2.121	1.961	0.875	0.903	0.847
1 1/8	1.688	1.631	2.386	2.209	1.000	1.030	0.970
1 1/4	1.875	1.812	2.652	2.458	1.094	1.126	1.062
1 3/8	2.062	1.994	2.917	2.708	1.203	1.237	1.169
1 1/2	2.250	2.175	3.182	2.956	1.313	1.348	1.276



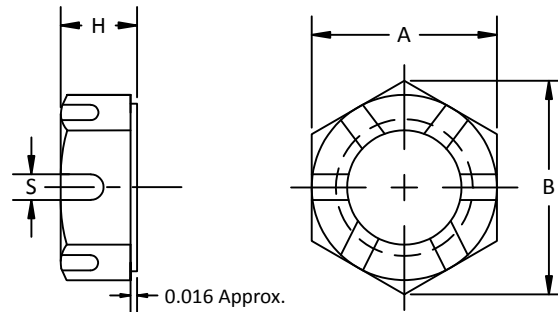
Hex Nut and Hex Jam Nut

Nominal Size	Width Across Flats		Width Across Corners		Hex Nut Thickness			Hex Jam Nut Thickness		
	Basic and Max	Min	Max	Min	Basic	Max	Min	Basic	Max	Min
	A		B		H			H1		
1/4	0.438	0.428	0.505	0.488	0.219	0.226	0.212	0.156	0.163	0.150
5/16	0.500	0.489	0.577	0.557	0.266	0.273	0.258	0.188	0.195	0.180
3/8	0.562	0.551	0.650	0.628	0.328	0.337	0.320	0.219	0.227	0.210
7/16	0.688	0.675	0.794	0.768	0.375	0.385	0.365	0.250	0.260	0.240
1/2	0.750	0.736	0.866	0.840	0.438	0.448	0.427	0.313	0.323	0.302
9/16	0.875	0.861	1.010	0.982	0.484	0.496	0.473	0.313	0.324	0.301
5/8	0.938	0.922	1.083	1.051	0.547	0.559	0.535	0.375	0.387	0.363
3/4	1.125	1.088	1.299	1.240	0.641	0.665	0.617	0.422	0.446	0.398
7/8	1.312	1.263	1.516	1.447	0.750	0.776	0.724	0.484	0.510	0.458
1	1.500	1.450	1.732	1.653	0.859	0.887	0.831	0.547	0.575	0.519
1 1/8	1.688	1.631	1.949	1.859	0.969	0.999	0.939	0.609	0.639	0.579
1 1/4	1.875	1.812	2.165	2.066	1.063	1.094	1.030	0.719	0.751	0.687
1 3/8	2.063	1.994	2.382	2.273	1.172	1.206	1.138	0.781	0.815	0.747
1 1/2	2.250	2.175	2.598	2.480	1.281	1.317	1.245	0.844	0.880	0.808



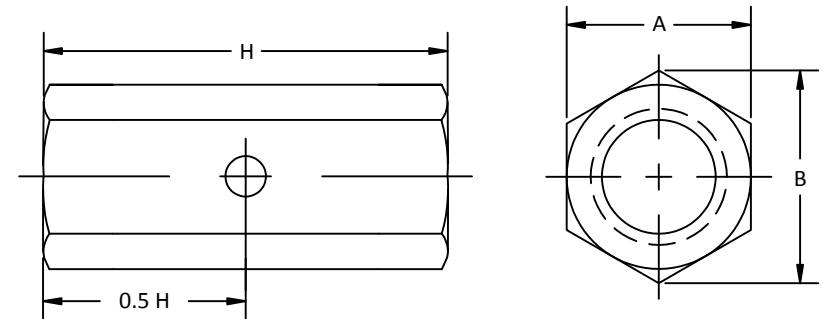
Hex Slotted Nut

Nominal Size	Width Across Flats		Width Across Corners		Thickness			Width of Slot	
	Basic and Max	Min	Max	Min	Basic	Max	Min	Max	Min
	A		B		H			S	
1/4	0.438	0.428	0.505	0.488	0.219	0.226	0.212	0.100	0.070
5/16	0.500	0.489	0.577	0.557	0.266	0.273	0.258	0.120	0.090
3/8	0.563	0.551	0.650	0.628	0.328	0.337	0.320	0.150	0.120
7/16	0.688	0.675	0.794	0.768	0.375	0.385	0.365	0.150	0.120
1/2	0.750	0.736	0.866	0.840	0.438	0.448	0.427	0.180	0.150
9/16	0.875	0.861	1.010	0.982	0.484	0.496	0.473	0.180	0.150
5/8	0.938	0.922	1.083	1.051	0.547	0.559	0.535	0.240	0.180
3/4	1.125	1.088	1.299	1.240	0.641	0.665	0.617	0.240	0.180
7/8	1.313	1.269	1.516	1.447	0.750	0.776	0.724	0.240	0.180
1	1.500	1.450	1.732	1.653	0.859	0.887	0.831	0.300	0.240
1 1/8	1.688	1.631	1.949	1.859	0.969	0.999	0.939	0.330	0.240
1 1/4	1.875	1.812	2.165	2.066	1.063	1.094	1.030	0.400	0.310
1 3/8	2.063	1.994	2.382	2.273	1.172	1.206	1.138	0.400	0.310
1 1/2	2.250	2.175	2.598	2.480	1.281	1.317	1.245	0.460	0.370



Hex Coupling Nut

Nominal Size	Width Across Flats		Width Across Corners		Thickness		
	Basic and Max	Min	Max	Min	Basic	Max	Min
	A		B		H		
1/4	0.375	0.365	0.433	0.416	0.750	0.760	0.740
5/16	0.500	0.489	0.577	0.557	0.938	0.950	0.930
3/8	0.563	0.551	0.650	0.628	1.125	1.130	1.110
7/16	0.688	0.675	0.794	0.769	1.313	1.320	1.300
1/2	0.750	0.736	0.866	0.839	1.500	1.510	1.490
9/16	0.875	0.861	1.010	0.981	1.688	1.700	1.670
5/8	0.938	0.922	1.083	1.051	1.875	1.890	1.860
3/4	1.125	1.088	1.299	1.240	2.250	2.270	2.220
7/8	1.312	1.269	1.516	1.447	2.625	2.650	2.600
1	1.500	1.450	1.732	1.653	3.000	3.030	2.970
1 1/8	1.688	1.631	1.949	1.859	3.375	3.400	3.340
1 1/4	1.875	1.812	2.165	2.066	3.750	3.780	3.710
1 3/8	2.062	1.994	2.382	2.273	4.125	4.160	4.090
1 1/2	2.250	2.175	2.598	2.480	4.500	4.540	4.460
1 5/8	2.562	2.481	2.959	2.828	4.875	4.910	4.830
1 3/4	2.750	2.662	3.175	3.035	5.250	5.290	5.210
1 7/8	2.938	2.844	3.392	3.242	5.625	5.670	5.580
2	3.125	3.025	3.608	3.448	6.000	6.040	5.950
2 1/4	3.500	3.388	4.041	3.862	6.750	6.800	6.700
2 1/2	3.875	3.750	4.474	4.275	7.500	7.550	7.440
2 3/4	4.250	4.112	4.907	4.688	8.250	8.310	8.190
3	4.625	4.475	5.340	5.101	9.000	9.060	8.940
3 1/4	5.000	4.838	5.773	5.515	9.750	9.810	9.600
3 1/2	5.375	5.500	6.206	5.928	10.500	10.570	10.430
3 3/4	5.750	5.562	6.639	6.340	11.250	11.320	11.170
4	6.125	5.925	7.072	6.754	12.000	12.080	11.920
4 1/4	6.500	6.288	7.506	7.168	12.750	12.830	12.670
4 1/2	6.875	6.650	7.939	7.581	13.500	13.580	13.420
4 3/4	7.250	7.012	8.372	7.994	14.250	14.340	14.160
5	7.625	7.375	8.805	8.408	15.000	15.090	14.910
5 1/4	8.000	7.738	9.238	8.821	15.750	15.850	15.650
5 1/2	8.375	8.100	9.671	9.234	16.500	16.600	16.400
5 3/4	8.750	8.462	10.104	9.647	17.250	17.350	17.150
6	9.125	8.825	10.537	10.060	18.000	18.110	17.890



Type A Wing Nut

Nominal Size	Threads per Inch	Series	Nut Blank Size	Wing Spread		Wing Height		Wing Thickness		Between Wings		Boss Diameter		Boss Height	
				Max	Min	Max	Min	Max	Min	Max	Min	Max	Min	Max	Min
				A		B		C		D		E		G	
0.099	48 and 56	Heavy	AA	0.720	0.590	0.410	0.280	0.110	0.070	0.210	0.170	0.330	0.290	0.140	0.100
0.112	40 and 48	Heavy	AA	0.720	0.590	0.410	0.280	0.110	0.070	0.210	0.170	0.330	0.290	0.140	0.100
0.125	40 and 44	Light	AA	0.720	0.590	0.410	0.280	0.110	0.070	0.210	0.170	0.330	0.290	0.140	0.100
		Heavy	A	0.910	0.780	0.470	0.340	0.140	0.100	0.270	0.220	0.430	0.390	0.180	0.140
0.138	32 and 40	Light	AA	0.720	0.590	0.410	0.280	0.110	0.070	0.210	0.170	0.330	0.290	0.140	0.100
		Heavy	A	0.910	0.780	0.470	0.340	0.140	0.100	0.270	0.220	0.430	0.390	0.180	0.140
0.164	32 and 36	Light	A	0.910	0.780	0.470	0.340	0.140	0.100	0.270	0.220	0.430	0.390	0.180	0.140
		Heavy	B	1.100	0.970	0.570	0.430	0.180	0.140	0.330	0.260	0.500	0.450	0.220	0.170
0.190	24 and 32	Light	A	0.910	0.780	0.470	0.340	0.140	0.100	0.270	0.220	0.430	0.390	0.180	0.140
		Heavy	B	1.100	0.970	0.570	0.430	0.180	0.140	0.330	0.260	0.500	0.450	0.220	0.170
0.216	24 and 28	Light	B	1.100	0.970	0.570	0.430	0.180	0.140	0.330	0.260	0.500	0.450	0.220	0.170
		Heavy	C	1.250	1.120	0.660	0.530	0.210	0.170	0.390	0.320	0.580	0.510	0.250	0.200
0.250	20 and 28	Light	B	1.100	0.970	0.570	0.430	0.180	0.140	0.330	0.260	0.500	0.450	0.220	0.170
		Regular	C	1.250	1.120	0.660	0.530	0.210	0.170	0.390	0.320	0.580	0.510	0.250	0.200
		Heavy	D	1.440	1.310	0.790	0.650	0.240	0.200	0.480	0.420	0.700	0.640	0.300	0.260
0.313	18 and 24	Light	C	1.250	1.120	0.660	0.530	0.210	0.170	0.390	0.320	0.580	0.510	0.250	0.200
		Regular	D	1.440	1.310	0.790	0.650	0.240	0.200	0.480	0.420	0.700	0.640	0.300	0.260
		Heavy	E	1.940	1.810	1.000	0.870	0.330	0.260	0.650	0.540	0.930	0.860	0.390	0.350
0.375	16 and 24	Light	D	1.440	1.310	0.790	0.650	0.240	0.200	0.480	0.420	0.700	0.640	0.300	0.260
		Regular	E	1.940	1.810	1.000	0.870	0.330	0.260	0.650	0.540	0.930	0.860	0.390	0.350
0.438	14 and 20	Light	E	1.940	1.810	1.000	0.870	0.330	0.260	0.650	0.540	0.930	0.860	0.390	0.350
		Heavy	F	2.760	2.620	1.440	1.310	0.400	0.340	0.900	0.800	1.190	1.130	0.550	0.510
0.500	13 and 20	Light	E	1.940	1.810	1.000	0.870	0.330	0.260	0.650	0.540	0.930	0.860	0.390	0.350
		Heavy	F	2.760	2.620	1.440	1.310	0.400	0.340	0.900	0.800	1.190	1.130	0.550	0.510
0.563	12 and 18	Heavy	F	2.760	2.620	1.440	1.310	0.400	0.340	0.900	0.800	1.190	1.130	0.550	0.510
0.625	11 and 18	Heavy	F	2.760	2.620	1.440	1.310	0.400	0.340	0.900	0.800	1.190	1.130	0.550	0.510
0.750	10 and 16	Heavy	F	2.760	2.620	1.440	1.310	0.400	0.340	0.900	0.800	1.190	1.130	0.550	0.510

